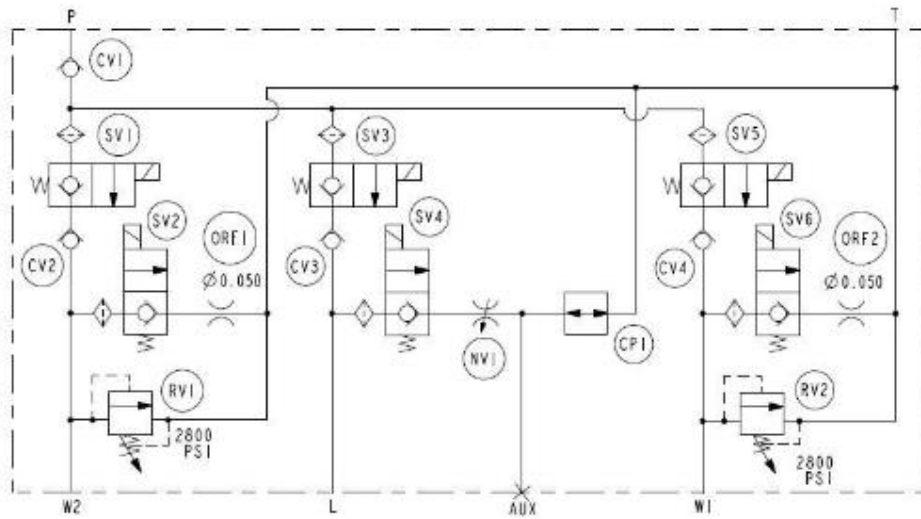
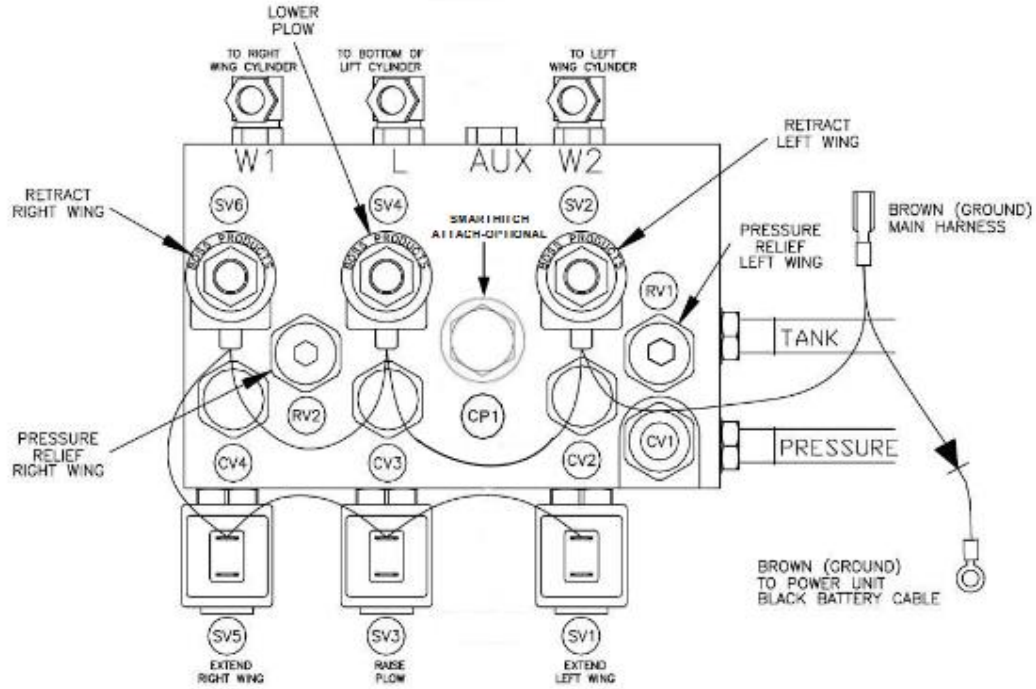


**HYD12280 Hydraulic Valve Assembly
RT3 UTV Power-V XT
SmartHitch™ Ready (Blue)
Blade Functions**



4/19/11 MM

Hydraulic Valve Assembly Parts List

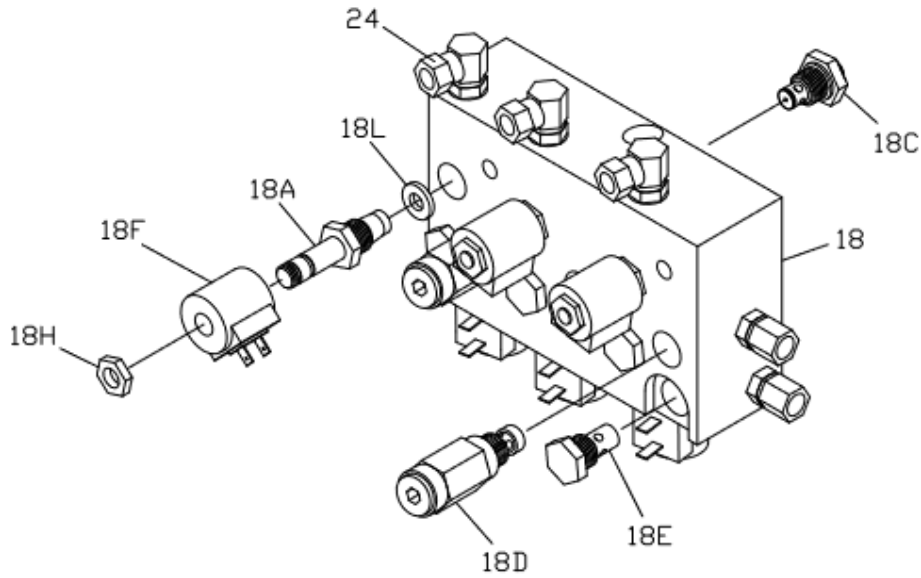


Figure 22. V-Blade UTV Manifold (SmartHitch2™ Ready) Parts Diagram

G10630

Ref.	Description	Part Number	Qty
18	Hydraulic Valve Assembly, V-Blade, SmartHitch2™ Ready (Blue)	HYD12280	1
18A	Valve, Lift/ Angle	HYD01637	6
18B	Valve, SmartHitch2™ Attach (Optional, Not Pictured)	HYD07047	1
18C	Valve, Flow Control	HYD07048	1
18D	Valve, Relief V-Blade (2800psi)	HYD01639	2
18E	Check Valve	HYD01640	4
18F	Valve Coil	HYD01638	7
18H	Coil Nut	HYD07059	6
18K	Coil Nut (SmartHitch2™ Valve) (Optional, Not Pictured)	HYD07060	1
18L	Orifice Disc (.080" ID)	HYD07108	2
24	Hydraulic Swivel Fitting	HYD01620	4